

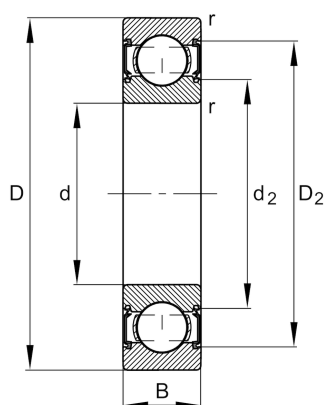
FAG

**6203-C-2HRS**

Deep groove ball bearing

Schaeffler ID:  
0956621460000Deep groove ball bearing 62...-C-2HRS,  
single row, Generation C, seals, steel  
sheet metal cage

## Technical information

**Dimensions**

$r_{\min}$	0.6 mm	Minimum chamfer dimension
$D_2$	34.8 mm	Caliber diameter outer ring
$d_2$	22.8 mm	Caliber diameter inner ring
	0.065 kg	Weight

**Main Dimensions & Performance Data**

$d$	17 mm	Bore diameter
$D$	40 mm	Outside diameter
$B$	12 mm	Width
$C_r$	11,000 N	Basic dynamic load rating, radial
$C_{0r}$	4,750 N	Basic static load rating, radial
$C_{ur}$	330 N	Fatigue load limit, radial
$n_G$	16,900 1/min	Limiting speed

**Mounting dimensions**

$d_{a\min}$	21.2 mm	Minimum diameter shaft shoulder
$D_{a\max}$	35.8 mm	Maximum diameter of housing shoulder
$r_{a\max}$	0.6 mm	Maximum fillet radius

**Calculation factors**

$f_0$	13	Calculation factor
-------	----	--------------------

**Temperature range**

$T_{\min}$	-20 °C	Operating temperature min.
$T_{\max}$	100 °C	Operating temperature max.

